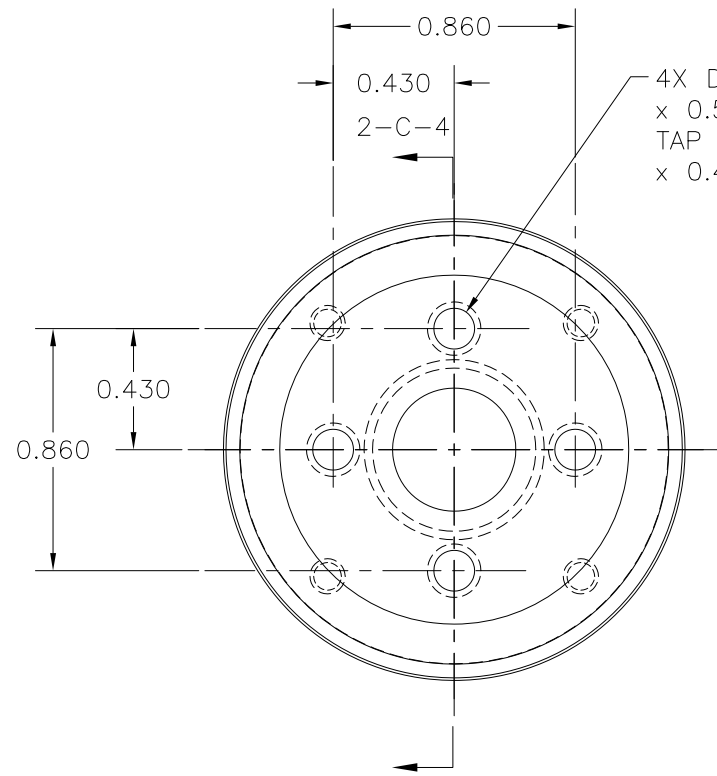


NOTES:

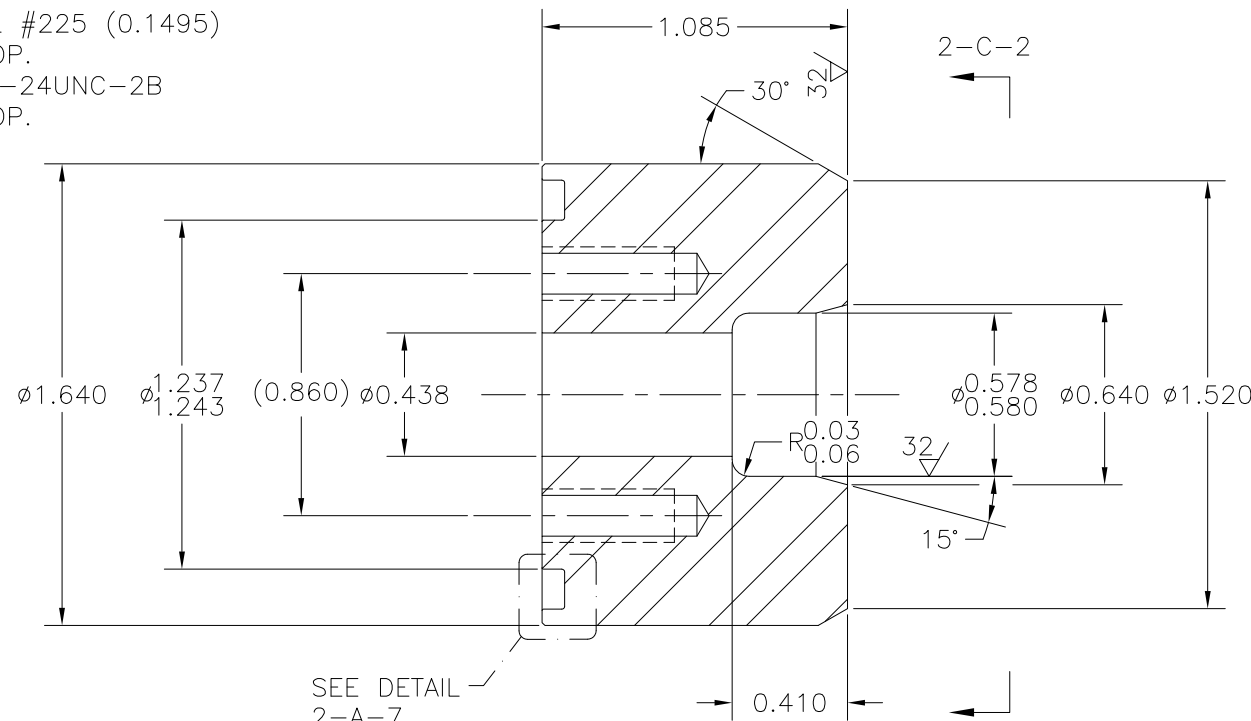
- 1. MATERIAL: 316/321 STAINLESS STEEL
- 2. HEAT TREAT: NONE
- 3. SURFACE TREATMENT: NONE
- 4. WEIGHT: 0.57 LBS.

REVISIONS				
NO	DESCRIPTION	DATE	BY	APR/DATE
0	ISSUED FOR MANUFACTURE	2/21/11		



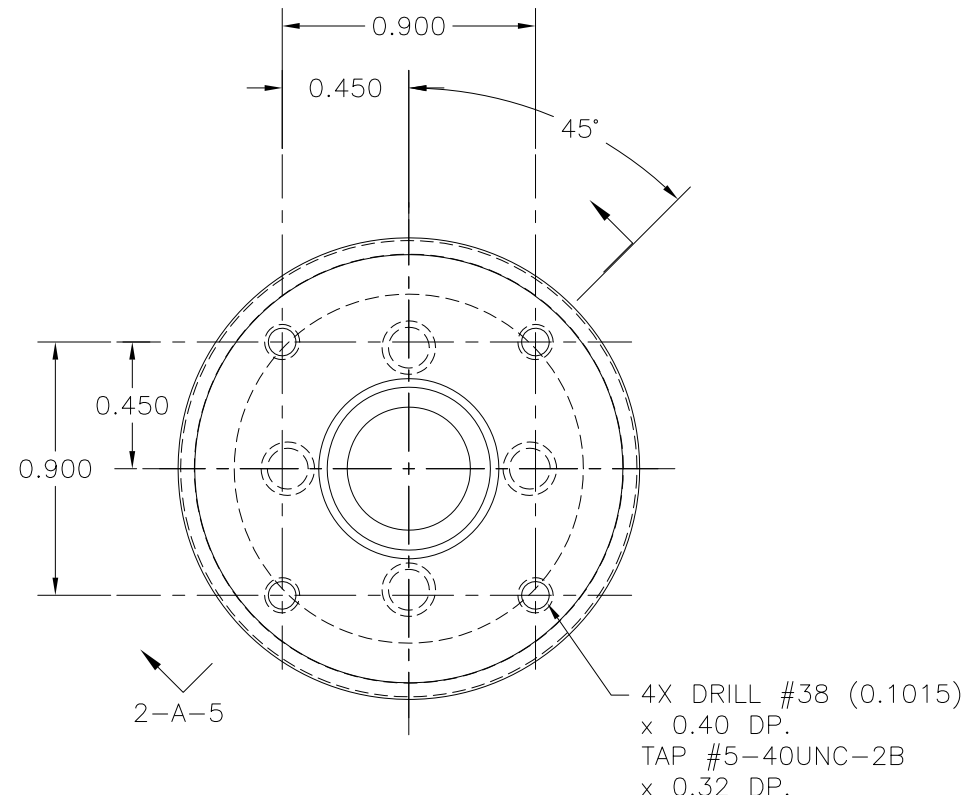
VIEW 2-C-7

P-CASE BULKHEAD ADAPTER PLATE



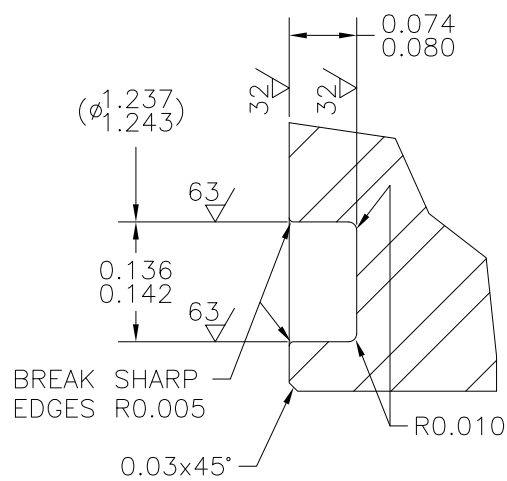
SECTION 2-C-4

REF. 2-D-7



VIEW 2-C-2

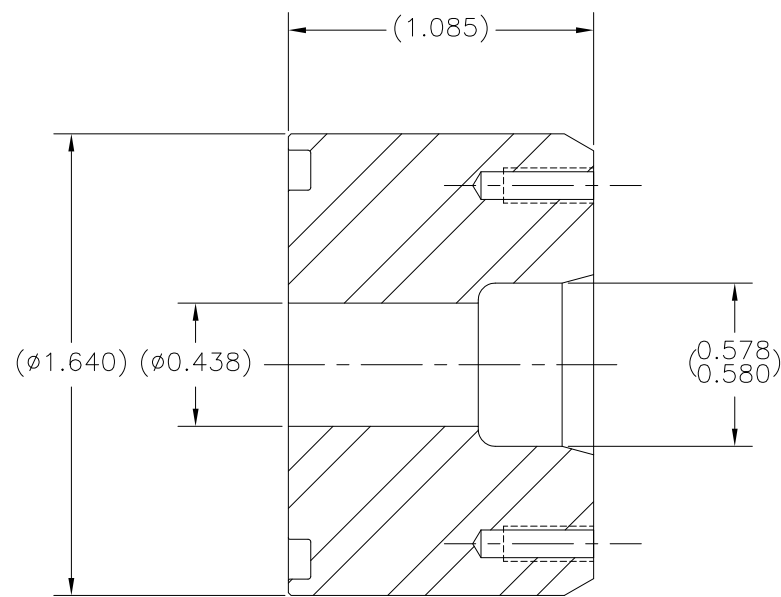
REF. 2-D-4



DETAIL 2-A-7

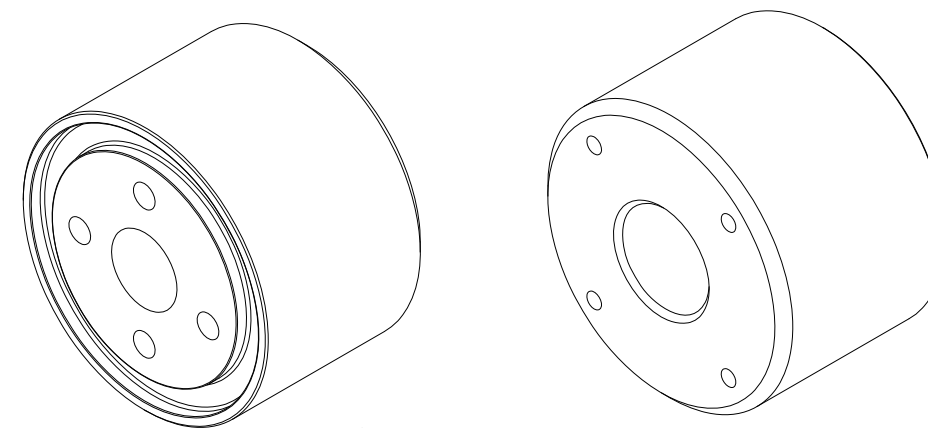
REF. 2-C-5

GROOVE FOR O-RING #2-124



SECTION 2-A-5

REF. 2-C-4



PICTORIAL 2-A-2

P-CASE BULKHEAD ADAPTER PLATE
N.T.S.

TOLERANCES: UNLESS OTHERWISE SPECIFIED		PROPRIETARY NOTICE THIS DRAWING AND THE INFORMATION IT CONTAINS ARE CONSIDERED CONFIDENTIAL, AND MAY NOT BE REPRODUCED, COPIED OR USED, IN PART OR IN WHOLE, WITHOUT PRIOR WRITTEN CONSENT.		Integrated Ocean Drilling Program TEXAS A&M UNIVERSITY 1000 DISCOVERY DRIVE COLLEGE STATION, TX 77845	
0.X ± 0.030	0.XX ± 0.010	TITLE P-CASE BULKHEAD ADAPTER PLATE		SHEET 2 OF 2	
0.XXX ± 0.005	ANGLES ± 1/2° BREAK EDGES 0.015 x 45° MIN.	SCALE 3:1		SYSTEM ERS v.2	
FINISH 125 ✓	ALL DIMS ARE IN INCHES, UNLESS NOTED OTHERWISE.	BY MM		ASSEMBLY 3 ERS	
		DATE 2/21/11		P/N ERS-024	
		APPROVED DH		REV. 0	
		CHECKED DH		SIZE D	